

# AirStar 6 air hoist

Designed for general industrial applications where variable speed pneumatic power is preferable. Rated for loads of up to 3 tons. This compact, lightweight hoist features:



- Hoist alloy load chain for heavy duty or stainless steel chain for spark resistant, medium duty loads
- Lightweight aluminum frame and cover
- Positive action, spring biased Weston-type load brake holds the load, provides exacting load spotting and control
- Multi-vane rotary air motor with eight vanes for high torque, smooth operation, positive starting
- Precision cut heat treated helical and spur gear combination for quiet, efficient operation
- Pendant throttle handle is full flow design for precision throttle capabilities
- Spark resistant models available for hazardous environments
- Hook or lug suspension available
- Standard overload protector device
- Internal Muffler—reduces sound level
- Throttle Valve—precision throttle valves meter the air for smooth operation
- Chain container optional
- Lifetime warranty
- Metric rated
- Made in U.S.A.

## Basic Hoist Data

**Rated Loads:** 1, 2, and 3-ton (Spark resistant models are rated at 1/2, 1 and 2 ton)

## Air Pressure

**Recommended:** 90 PSI

**Air Consumption:** 70 SCFM (full load-full speed) slow speed model 80 SCFM (full load-full speed) fast speed model

**Pendant Control Hose:** 6 foot pendant hose standard for 10 foot lift hoist, longer hose assemblies up to 36 foot available.

**Lift:** 10 foot lifts are standard. Longer lifts are an optional extra.

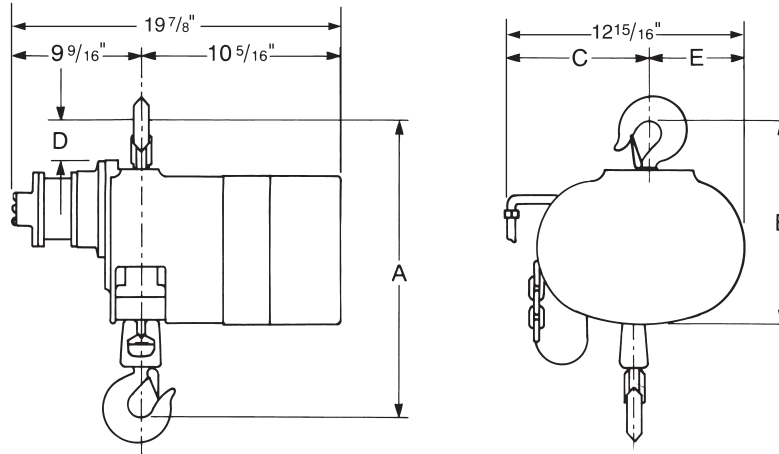
**Net Wt. (Basic Hoist):** 100 pounds

**Suspension:** Hook or lug

**Air Inlet Size:** 3/4 NPTF

**Air Supply Hose Size:** 3/4 I.D. min.

# AirStar 6 with hook suspension-Specifications



## Clearance dimensions (in.)

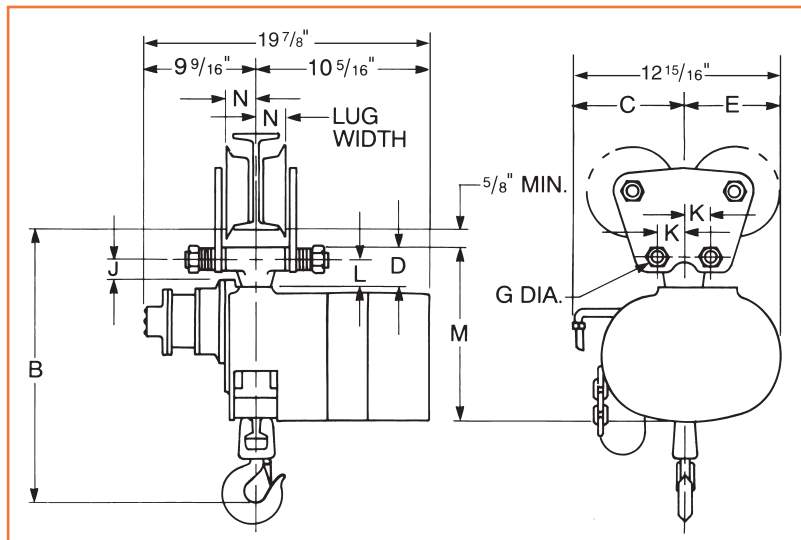
Rated capacity* (tons)	Product code	A	B	C	D	E
1/2	7408A	16 3/4	11 1/16	6 3/4	2 11/16	6 3/16
1	7405A	16 3/4	11 1/16	6 3/4	2 11/16	6 3/16
1	7405B	16 3/4	11 1/16	6 3/4	2 11/16	6 3/16
1	7409A	22 7/8	12 13/16	8 1/16	4 7/16	4 7/8
2	7406A	22 7/8	12 13/16	8 1/16	4 7/16	4 7/8
2	7406B	22 7/8	12 13/16	8 1/16	4 7/16	4 7/8
2	7410A	25 7/8	14 3/8	5 13/16	5 5/8	7 1/8
3	7407A	25 7/8	14 3/8	5 13/16	5 5/8	7 1/8
3	7407B	25 7/8	14 3/8	5 13/16	5 5/8	7 1/8

## Specifications

Model	Rated capacity* (tons)	Product code	Reeving	Full load hoist speed** (F.P.M.)	Full load lowering speed** (F.P.M.)	Approximate net weight (lbs.)
<b>Standard model</b>	1	7405A	1	13	18	93
	1	7405B	1	30	42	95
	2	7406A	2	6	9	110
	2	7406B	2	15	21	112
	3	7407A	3	4	6	144
	3	7407B	3	10	14	146
<b>Spark resistant model</b>	1/2	7408A	1	16	22	95
	1	7409A	2	8	11	112
	2	7410A	3	5	7	146

\*\*Hoist speeds based on 90 PSI line pressure with full load at full throttle.

# AirStar 6 with lug suspension



## Clearance dimensions (in.)

Rated capacity* (tons)	Product code	B	C	D	E	J	K	L	M	N	G
1/2	7408B	16 1/4	6 3/4	2	6 3/16	7/8	1 9/16	1 5/16	9 15/16	1 13/16	5/8
1	7405C	16 1/16	6 3/4	2	6 3/16	7/8	1 9/16	1 5/16	9 15/16	1 13/16	5/8
1	7405D	16 1/16	6 3/4	2	6 3/16	7/8	1 9/16	1 5/16	9 15/16	1 13/16	5/8
1	7409B	21 3/8	8 1/16	2 13/16	4 7/8	1 1/2	2 1/2	1 15/16	10 11/16	2 3/16	1
2	7406C	19 3/4	8 1/16	2 13/16	4 7/8	1 1/2	2 1/2	1 15/16	10 11/16	2 3/16	1
2	7406D	19 3/4	8 1/16	2 13/16	4 7/8	1 1/2	2 1/2	1 15/16	10 11/16	2 3/16	1
2	7410B	25	5 13/16	4 5/8	7 1/8	2 15/16	3	3 3/8	12 7/8	3	1 1/4
3	7407C	23 3/4	5 13/16	4 5/8	7 1/8	2 15/16	3	3 3/8	12 7/8	3	1 1/4
3	7407D	23 3/4	5 13/16	4 5/8	7 1/8	2 15/16	3	3 3/8	12 7/8	3	1 1/4

## Specifications

Model	Rated capacity* (tons)	Product code	Reeving	Full load hoist speed** (F.P.M.)	Full load lowering speed** (F.P.M.)	Approx. net weight (lbs.)
<b>Standard model</b>	1	7405C	1	13	18	106
	1	7405D	1	30	42	108
	2	7406C	2	6	9	116
	2	7406D	2	15	21	118
	3	7407C	3	4	6	164
	3	7407D	3	10	14	166
<b>Spark resistant model</b>	1/2	7408B	1	16	22	110
	1	7409B	2	8	11	120
	2	7410B	3	5	7	170

\*\*Hoist speeds based on 90 PSI line pressure with full load at full throttle.